

EZ-TRAP

Wiring instructions for installing the following Aspen Pumps into
DAIKIN (230V) VRV indoor units:

Models FXAQ07,09,12,18,24 MVJU (VRV Series)

Mini Orange Mini Lime Mini Aqua
Maxi Orange Maxi Lime

1. Check voltage at evaporator and ensure that pump voltage is correct.
2. Install 1 amp inline fuse between evaporator and pump to protect pump and unit.
3. Connect pump power cable to terminal block in evaporator as shown in diagram. This will ensure that pump is powered only when evaporator has power.

NOTE :

DO NOT USE SEPARATE 230 VOLT OUTLET TO POWER PUMP AS THIS IS NOT FAIL SAFE AND MAY CAUSE AN OVERFLOW!

4. Remove white Terminal wire from Terminal X15 on PCB. Cut wire, strip ends and connect to grey & purple wires as shown in diagram. Replace jumper into PCB. Do not use orange wire, tape end to isolate.

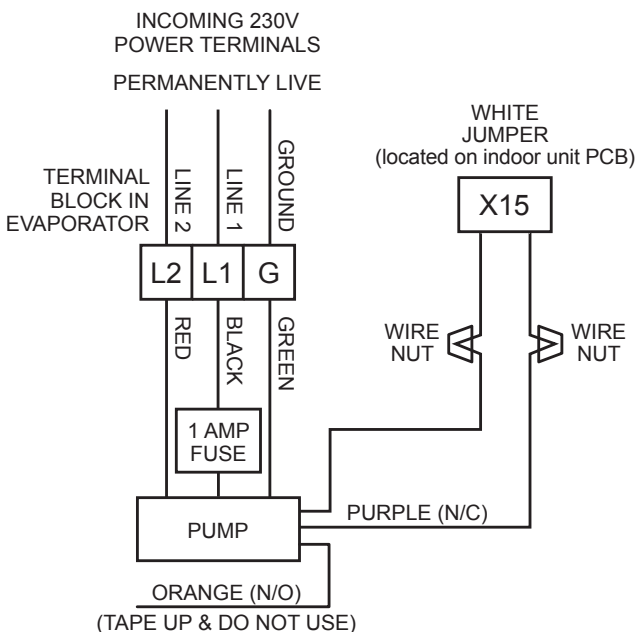
NOTE :

ALARM WIRE MUST BE CONNECTED TO ENSURE THAT, IN CASE OF PUMP FAILURE OR BLOCKAGE IN DISCHARGE HOSE, EVAPORATOR WILL SHUT DOWN.

CONNECTION OF THE OVERFLOW ALARM CIRCUIT IS MANDATORY AND FAILURE TO DO SO WILL INVALIDATE PUMP WARRANTY!

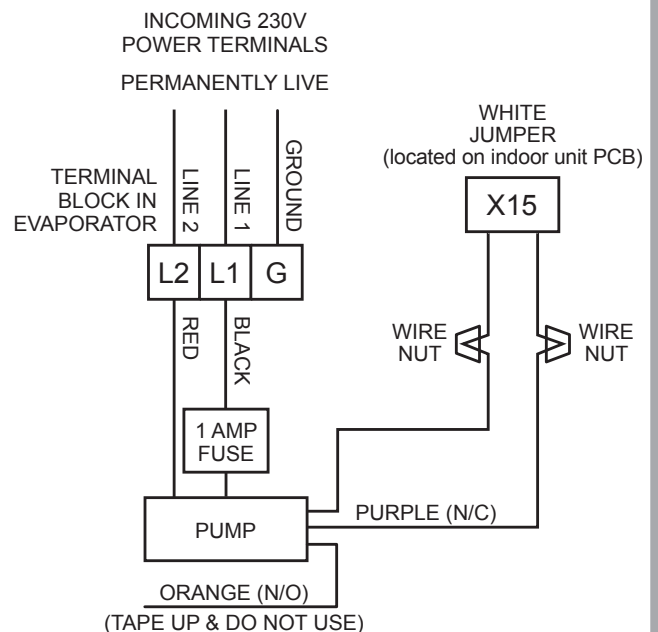
Mini Orange
Mini Lime
Mini Aqua

230V AC



Maxi Orange
Maxi Lime

230V AC



(NOTE: NO GROUND WIRE IS REQUIRED FOR 230V MAXI ORANGE & MAXI LIME PUMPS AS THEY ARE CLASS II APPLIANCES)