

EZ-TRAP

Wiring instructions for installing the following Aspen Pumps into SANYO 26,000 BTU/HR to 42,000 BTU/HR (230V) minisplits (X, K, T & U Series) (Single Zone Heat Pump & Cooling Only models):

Mini Orange Mini Lime Mini Aqua
Maxi Orange Maxi Lime

1. Check voltage to ensure that pump voltage is correct.

NOTE : EVAPORATOR POWER SUPPLY MAY BE USED IF COMPLIANT WITH NEC AND OTHER LOCAL REQUIREMENTS. IF USING A POWER SUPPLY OTHER THAN FROM THE INDOOR UNIT, POWER MUST BE AVAILABLE AT ALL TIMES DURING COOLING OPERATION, TO GUARD AGAINST PUMP OVERFLOW.

2. Install 1 amp inline fuse between the power supply and the pump.

3. Connect pump power cable to the power supply. If using the evaporator as the power supply, connect precisely as shown in diagram below.

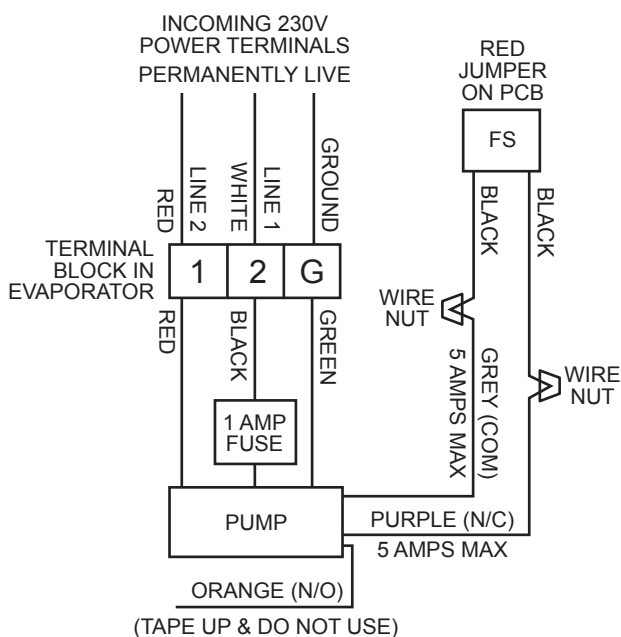
4. Remove red jumper from terminal FS on PCB. Cut black jumper wire, strip ends and connect to grey and purple wires as shown in diagram. Plug jumper back into PCB. Do not use orange wire, tape end to isolate.

NOTE : ALARM WIRE MUST BE CONNECTED TO ENSURE THAT, IN CASE OF PUMP FAILURE OR BLOCKAGE IN DISCHARGE HOSE, EVAPORATOR WILL SHUT DOWN.

CONNECTION OF THE OVERFLOW ALARM CIRCUIT IS MANDATORY AND FAILURE TO DO SO WILL INVALIDATE PUMP WARRANTY!

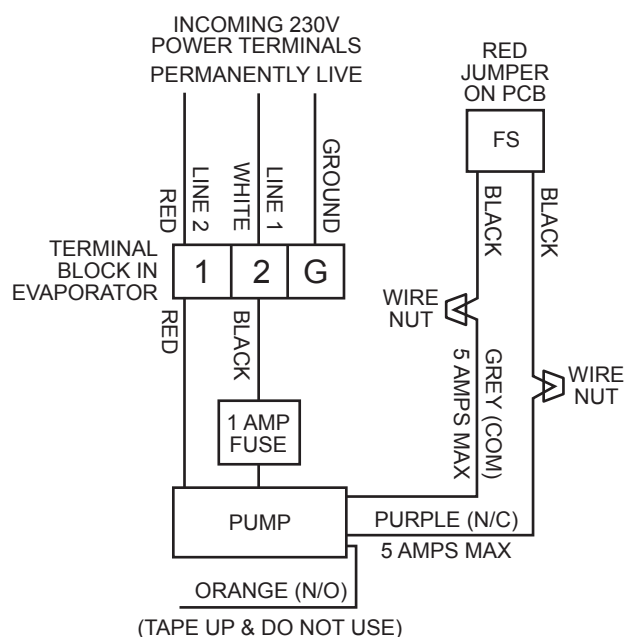
Mini Orange
Mini Lime
Mini Aqua

230V AC



Maxi Orange
Maxi Lime

230V AC



(NOTE: NO GROUND WIRE IS REQUIRED FOR 230V MAXI ORANGE & MAXI LIME PUMPS AS THEY ARE CLASS II APPLIANCES.)