

EZ-TRAP

Wiring instructions for installing the following Aspen Pumps into
MITSUBISHI 230V AC minisplits:

MODELS: MSY-A15NA, MSY-A17NA, MSY-A24NA, MSZ-A09NA, MSZ-A12NA, MSZ-A15NA, MSZ-A17NA,
MSZ-A24NA, PCA-A24GA, PCA-A30GA, PCA-A36GA, PCA-A42GA, PKA-A12GA, PKA-A18GA, PKA-A24FA,
PKA-A30FGA, PKA-A36FA, PKA-A12GAL, PKA-A18GAL, PKA-A24FAL, PKA-A30FAL, PKA-A36FAL, PLA-A12AA,
PLA-A18AA, PLA-A24AA, PLA-A30AA, PLA-A36AA, PLA-A42AA

Mini Orange Maxi Orange Mini Lime Maxi Lime Mini Aqua

1. Check voltage at evaporator and ensure that pump voltage is correct.
2. Install 1 amp inline fuse between evaporator and pump to protect pump and unit.
3. Connect red wire, and ground wire (for mini pumps only) to terminal block in evaporator as shown to ensure pump is powered only when evaporator has power.

NOTE : DO NOT USE SEPARATE 230 VOLT OUTLET TO POWER PUMP AS THIS IS NOT FAIL SAFE AND MAY CAUSE AN OVERFLOW!

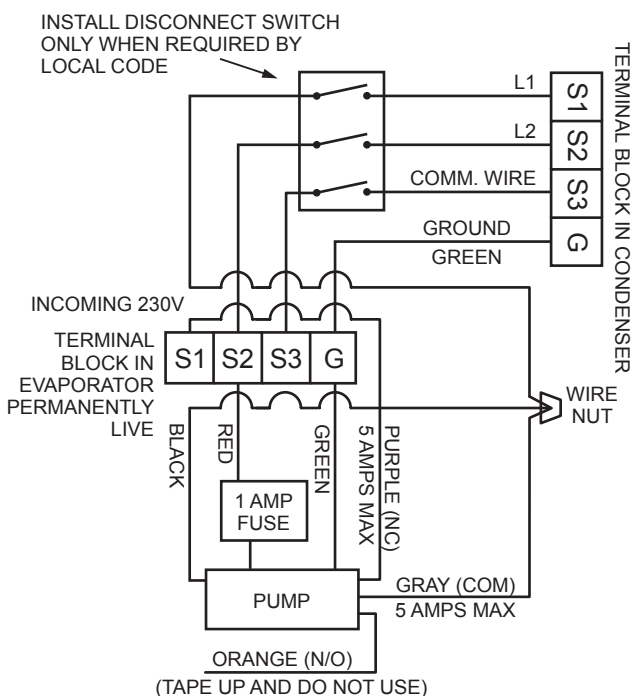
4. Disconnect wire S1 from terminal S1 in evaporator and re connect to black power wire of pump and gray common wire of overflow switch with a wire nut as shown. Do not use orange wire, tape end to isolate. Connect purple wire from switch to terminal S1 in evaporator.

NOTE : OVERFLOW ALARM WIRE MUST BE CONNECTED TO ENSURE THAT, IN CASE OF PUMP FAILURE OR BLOCKAGE IN DISCHARGE HOSE, EVAPORATOR WILL SHUT DOWN.

CONNECTION OF THE OVERFLOW ALARM CIRCUIT IS MANDATORY AND FAILURE TO DO SO WILL INVALIDATE PUMP WARRANTY!

Mini Orange Mini Lime Mini Aqua

230V AC



Maxi Orange Maxi Lime

230V AC

