

AIRTEC

Wiring instructions for installing the following Aspen Pumps into FUJITSU 230V MODELS:
 9RLQ, 12RLQ, 15RLQ, 18CL, 18RLQ, 24CL, 24RLQ, 24RLXQ, 30RLXQ, 30CLX, 36CLX, 18RMLQ,
 21RMLQ, 24RMLQ, 27RMLQ, 30RMLQ, 33RMLQ, 36RMLQ12X3, 36RMLQ, 36RMLQ9X4

Mini Orange
Maxi Orange

Mini Lime
Maxi Lime

Mini Aqua

NOTE : DO NOT USE SEPARATE 230 VOLT OUTLET TO POWER PUMP AS THIS IS NOT FAIL SAFE AND MAY CAUSE AN OVERFLOW!

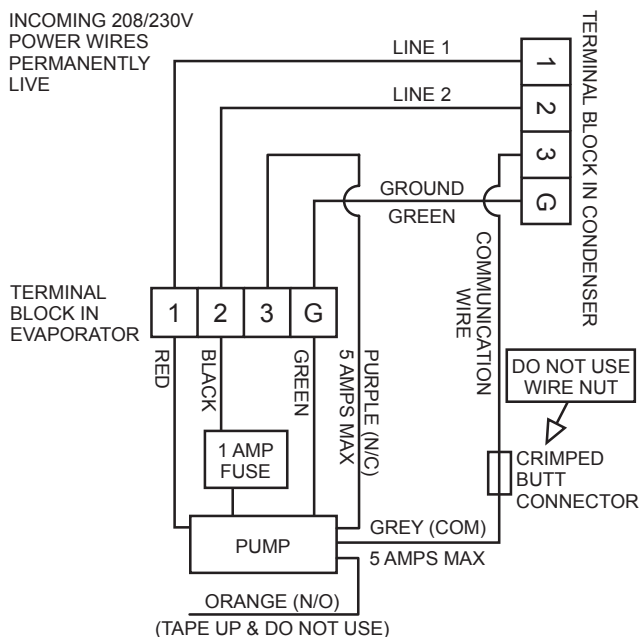
WARNING:

1. **DO NOT USE WIRE NUTS TO CONNECT OVERFLOW WIRES FROM PUMP AS THEY MAY CAUSE AN INTERMITTENT CONNECTION WHICH CAN INTERFERE WITH THE ELECTRONICS IN THE INDOOR UNIT! FUJITSU SPECIFICALLY MANDATES THE USE OF CRIMPED BUTT CONNECTORS FOR THIS PURPOSE.**
2. **WHEN TROUBLESHOOTING A SYSTEM WHERE A CONDENSATE PUMP OVERFLOW SWITCH IS INCORPORATED INTO THE COMMUNICATION CIRCUIT (WIRE 3) IT IS NECESSARY TO DISCONNECT THE OVERFLOW SWITCH FROM THE CIRCUIT SO THAT DIAGNOSTIC PROCEDURES CAN BE PERFORMED WITHOUT ANY INTERFERENCE FROM THE OVERFLOW SWITCH. ONCE THESE PROCEDURES HAVE BEEN SATISFACTORILY COMPLETED, THE OVERFLOW SWITCH CAN BE RECONNECTED INTO THE CIRCUIT.**
1. Check voltage at evaporator and ensure that pump voltage is correct.
2. Install 1 amp inline fuse between evaporator and pump to protect pump and unit.
3. Connect pump power cable to terminal block in evaporator as shown on diagram. This will ensure that pump is powered only when evaporator has power.
4. Connect wire 3 from condenser to gray wire from pump with a crimped butt connector only and connect purple wire from pump directly to terminal 3 on indoor unit, as shown on diagram. Keep purple wire as short as possible to reduce the likelihood of an error in the communication circuit. Do not use orange wire, tape end to isolate. **USE CRIMPED BUTT CONNECTORS ONLY FOR ALL CONNECTIONS BETWEEN PUMP AND COMMUNICATION CIRCUIT!**
5. Attach warning label provided to front of terminal cover in evaporator.

NOTE : OVERFLOW ALARM WIRE MUST BE CONNECTED TO ENSURE THAT, IN CASE OF PUMP FAILURE OR BLOCKAGE IN DISCHARGE HOSE, EVAPORATOR WILL SHUT DOWN. CONNECTION OF THE OVERFLOW ALARM CIRCUIT IS MANDATORY AND FAILURE TO DO SO WILL INVALIDATE PUMP WARRANTY!

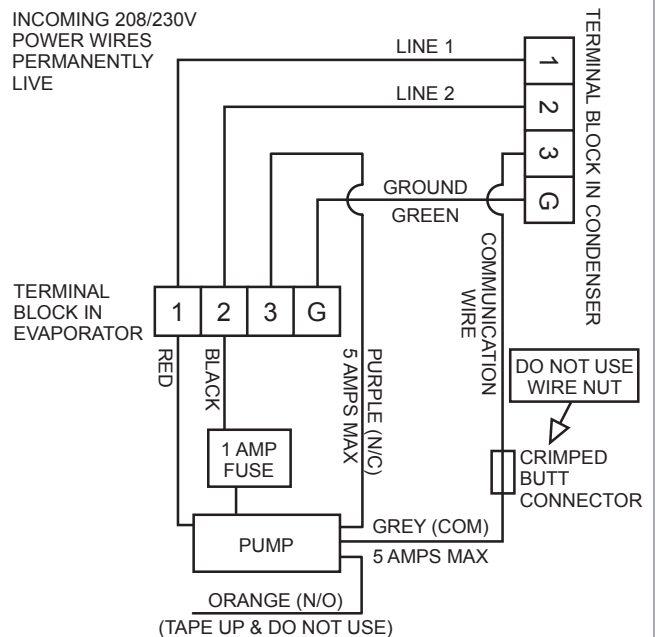
Mini Orange
Mini Lime
Mini Aqua

230V AC



Maxi Orange
Maxi Lime

230V AC



(NOTE: NO GROUND WIRE IS REQUIRED FOR 230V MAXI ORANGE & MAXI LIME PUMPS AS THEY ARE CLASS II APPLIANCES)