

# EZ-TRAP

Wiring instructions for installing the following Aspen Pumps into CHIGO 18K & 24K (230V) minisplits:

**Mini Orange      Mini Lime      Mini Aqua**  
**Maxi Orange      Maxi Lime**

1. Check voltage at evaporator and ensure that pump voltage is correct.
2. Install 1 amp inline fuse between evaporator and pump to protect pump and unit.
3. Connect pump power cable to terminal block in evaporator as shown on diagram. This will ensure that pump is powered only when evaporator has power.

**NOTE : DO NOT USE SEPARATE 230 VOLT OUTLET TO POWER PUMP AS THIS IS NOT FAIL SAFE AND MAY CAUSE AN OVERFLOW!**

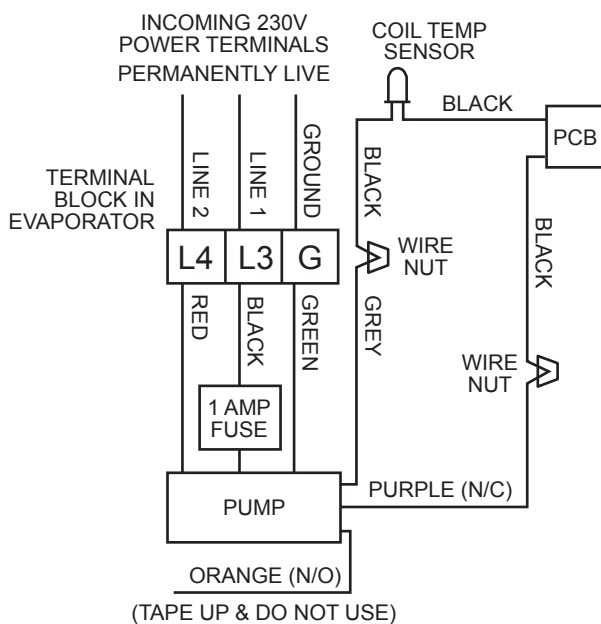
4. Connect alarm cable to indoor coil temperature sensor as shown in diagram using grey and purple wires only. Do not use orange wire, tape end to isolate.

**NOTE : OVERFLOW ALARM WIRE MUST BE CONNECTED TO ENSURE THAT, IN CASE OF PUMP FAILURE OR BLOCKAGE IN DISCHARGE HOSE, EVAPORATOR WILL SHUT DOWN.**

**CONNECTION OF THE OVERFLOW ALARM CIRCUIT IS MANDATORY AND FAILURE TO DO SO WILL INVALIDATE PUMP WARRANTY!**

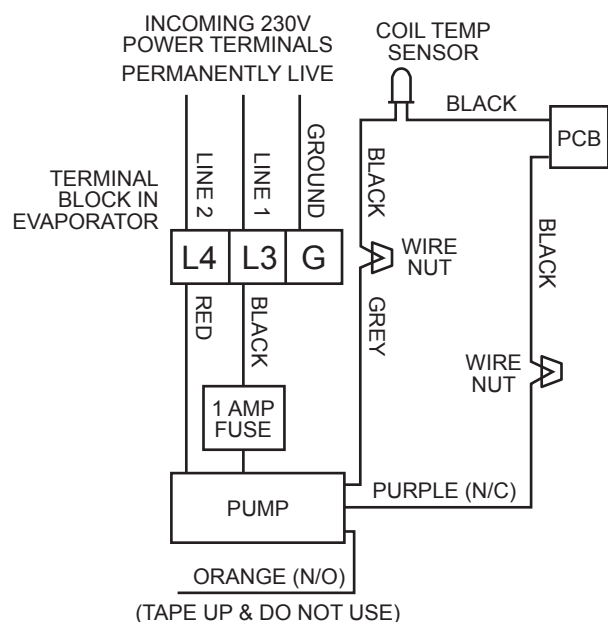
**Mini Orange  
Mini Lime  
Mini Aqua**

**230V AC**



**Maxi Orange  
Maxi Lime**

**230V AC**



**(NOTE: NO GROUND WIRE IS REQUIRED FOR 230V MAXI ORANGE & MAXI LIME PUMPS AS THEY ARE CLASS II APPLIANCES.)**