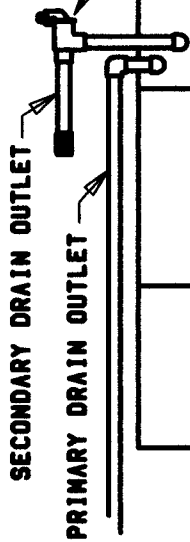


MODEL EZT-228

EVAPORATOR COIL

VERTICAL FURNACE



**ALTERNATIVE 1**  
VERTICAL GAS OR OIL FURNACE.

VERTICAL BLOWER UNIT

EVAPORATOR COIL

SECONDARY DRAIN OUTLET

MODEL EZT-228

FLOOR

PRIMARY DRAIN

**ALTERNATIVE 2**  
VERTICAL ELECTRIC OR HEAT PUMP AIRHANDLER.

VERTICAL BLOWER UNIT

EVAPORATOR COIL

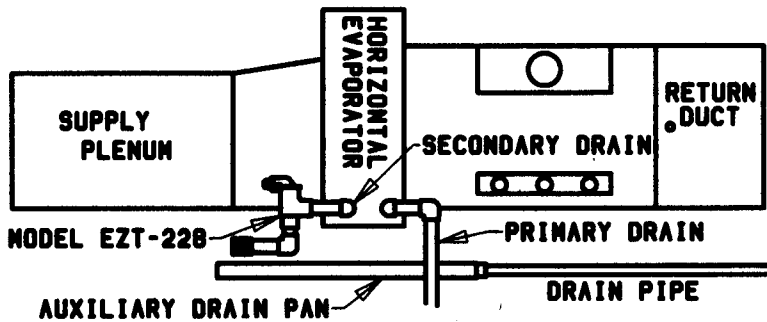
SECONDARY DRAIN OUTLET

MODEL EZT-228

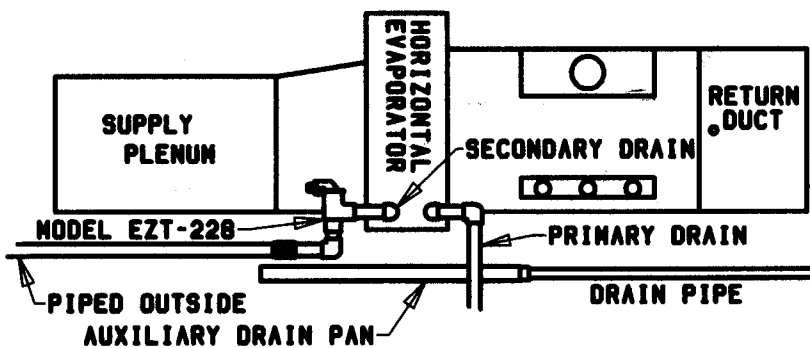
FLOOR

PRIMARY DRAIN

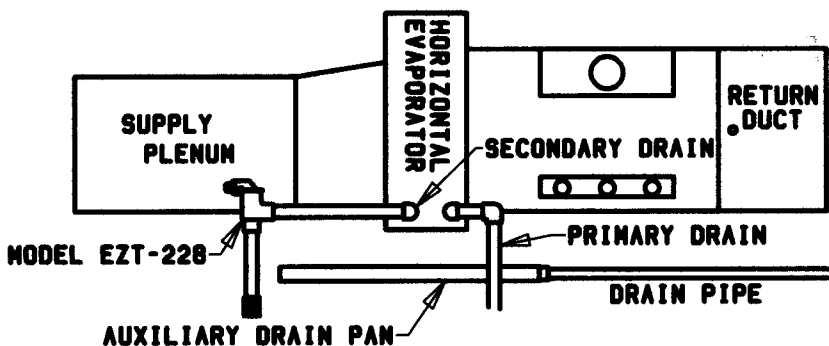
**ALTERNATIVE 3**  
VERTICAL ELECTRIC OR HEAT PUMP AIRHANDLER. REQUIRES MODIFICATION OF EZT-228 TO SUIT. ON SITE.



**ALTERNATIVE 4**  
NON-STANDARD HORIZONTAL FURNACE. REQUIRES MODIFICATION OF EZT-228 TO SUIT. ON SITE.



**ALTERNATIVE 5**  
NON-STANDARD HORIZONTAL FURNACE. REQUIRES MODIFICATION OF EZT-228 TO SUIT. ON SITE.



**ALTERNATIVE 6**  
STANDARD HORIZONTAL FURNACE. EZT-228 OFFSET FROM SECONDARY DRAIN OUTLET IN ORDER TO CLEAR AUXILIARY DRAIN PAN.

**EZ-TRAP TYPICAL INSTALLATIONS FOR MODEL EZT-228**